

Suction Kit for Pressure Washers

3A0913A

EN

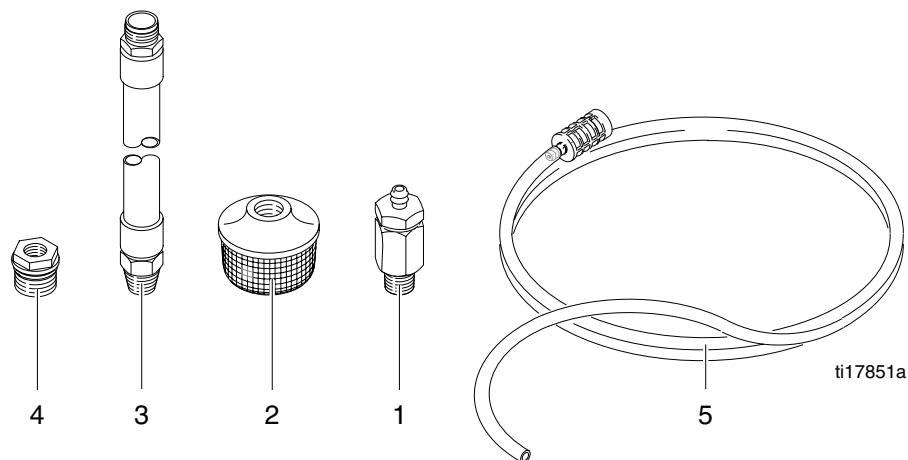
Kit 24F214: Suction Kit, 1/4 NPT

Kit 24F215: Suction Kit, 3/8 NPT



Important Safety Instructions

Read all warnings and instructions in the pressure washer manual. Save these instructions.



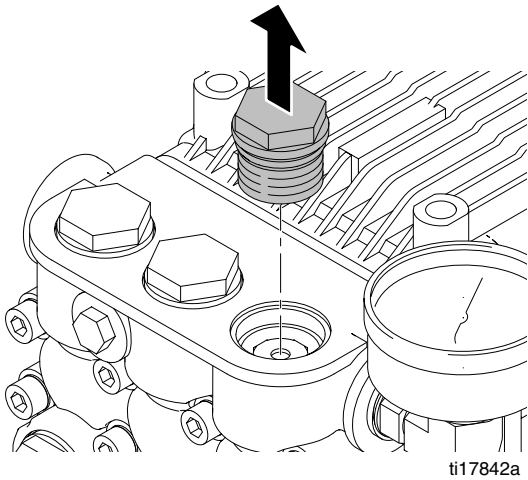
Parts List

Ref.	Part	Description	Qty.
1	824129	VALVE, EZ Start, 1/4 NPT (Kit 24F214)	1
	804576	VALVE, EZ Start, 3/8 NPT (Kit 24F215)	1
2	803005	STRAINER, suction	1
3	804556	HOSE, suction	1
4	16F360	PLUG (Kit 24F214)	1
	16F361	PLUG (Kit 24F215)	1
5	804275	HOSE, chemical injector	1

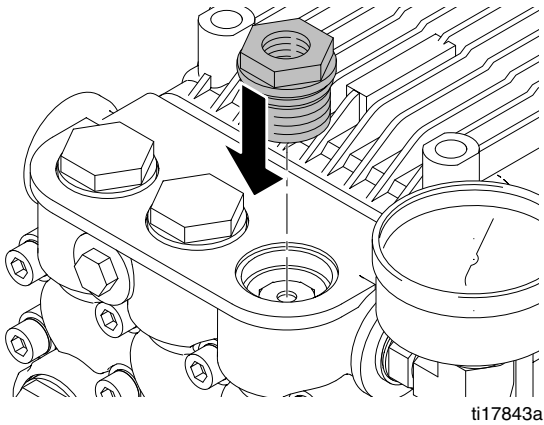
Installation Instructions

NOTE: For 262326 (4043 BD) units, skip to step 6.

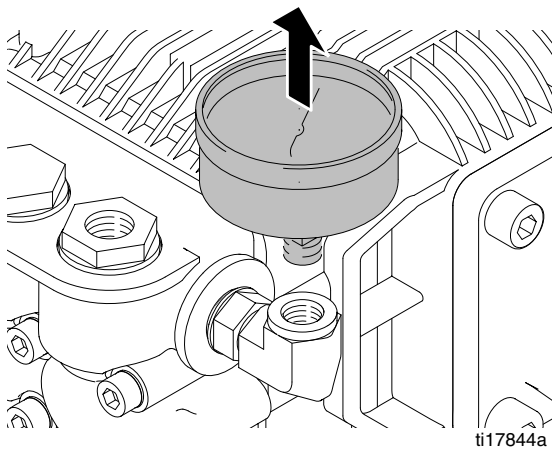
1. Remove hex plug from the pump manifold using the wrench size listed in table 1.



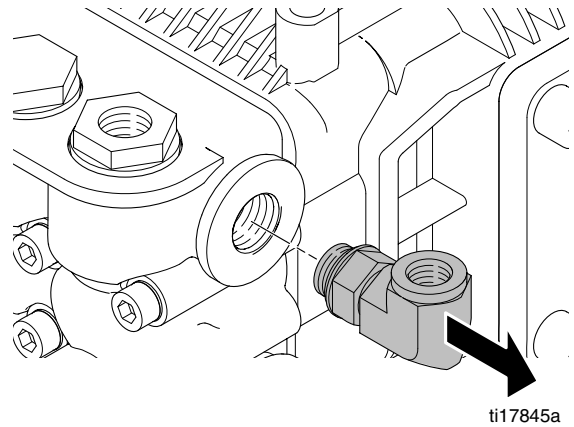
2. Install tapped hex plug (4) supplied with kit and torque to the specification in Table 2.



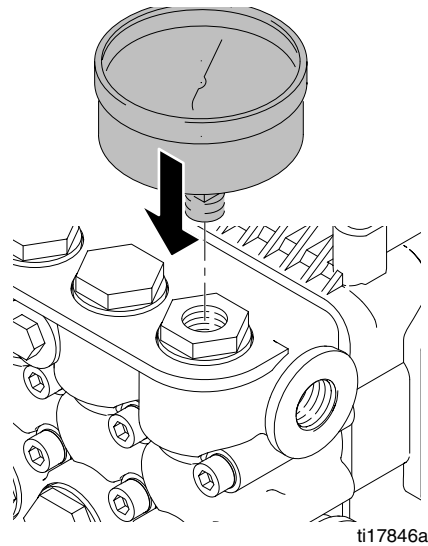
3. Remove pressure gauge from elbow fitting.



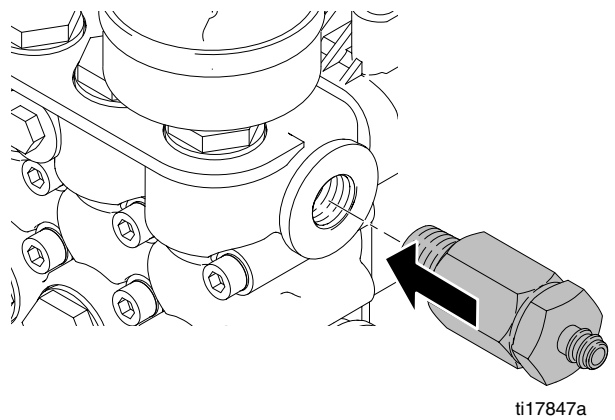
4. Remove elbow fitting from the pump.



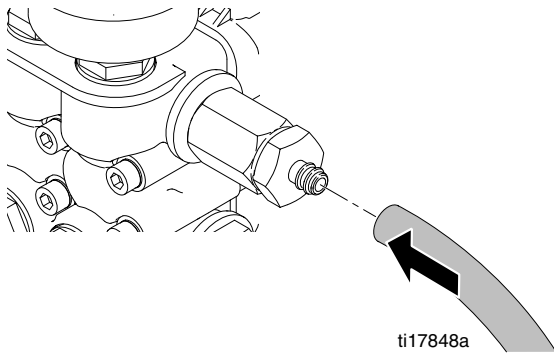
5. Install pressure gauge in the tapped valve cover.



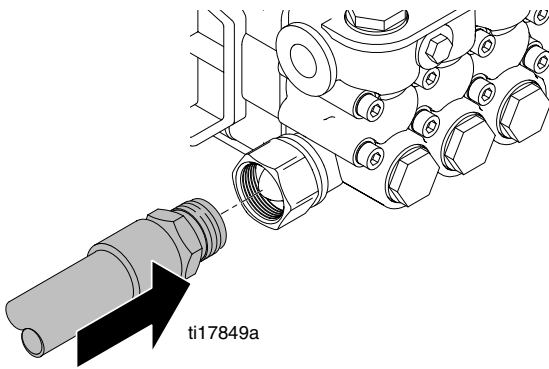
6. Install the bleeder valve (1) into the pump in the previous pressure gauge location. For 4043 BD units the plug must be removed prior to installing the bleeder valve.



7. Connect chemical injector hose (5) to valve (1) at barbed fitting.



8. Install the suction hose (3) at the pump inlet.



9. Screw strainer (2) onto the end of the suction hose.

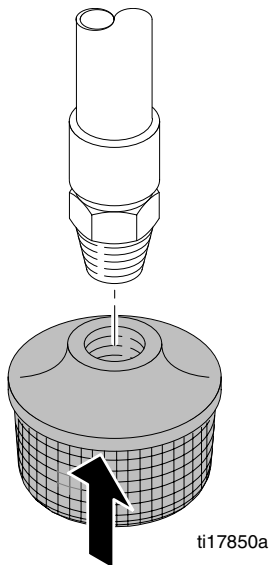


Table 1: Wrench Sizes

Model Number	Wrench Size
2730 DD	22mm
3030 DD and 3540 DD	27mm
4043 BD	30mm

Table 2: Torque Specifications

Model Number	Torque
2730 DD	60 ft-lb (81 N•m)
3030 DD and 3540 DD	73 ft-lb (99 N•m)
4043 BD	73 ft-lb (99 N•m)

Operating Instructions

1. Place the suction hose and chemical injector hose into the water supply.
2. Start engine (see engine manual provided with pressure washer for correct engine starting procedure).
3. With nozzle removed, squeeze gun trigger so water begins to flow from hose/gun assembly (this allows the unit to prime and purge any air from the system). The unit is primed once water flow is uninterrupted by air.
4. Once unit is primed, release trigger and lock gun in OFF position. Securely connect desired nozzle assembly.

NOTE: Refer to instruction manual supplied with the unit for any further operating instructions.

*All written and visual data contained in this document reflects the latest product information available at the time of publication.
Graco reserves the right to make changes at any time without notice.*

Original instructions. This manual contains English. MM 3A0913

Graco Headquarters: Minneapolis

International Offices: Belgium, China, Japan, Korea

GRACO INC. AND SUBSIDIARIES • P.O. BOX 1441 • MINNEAPOLIS MN 55440-1441 • USA

Copyright 2011, Graco Inc. All Graco manufacturing locations are registered to ISO 9001.

www.graco.com